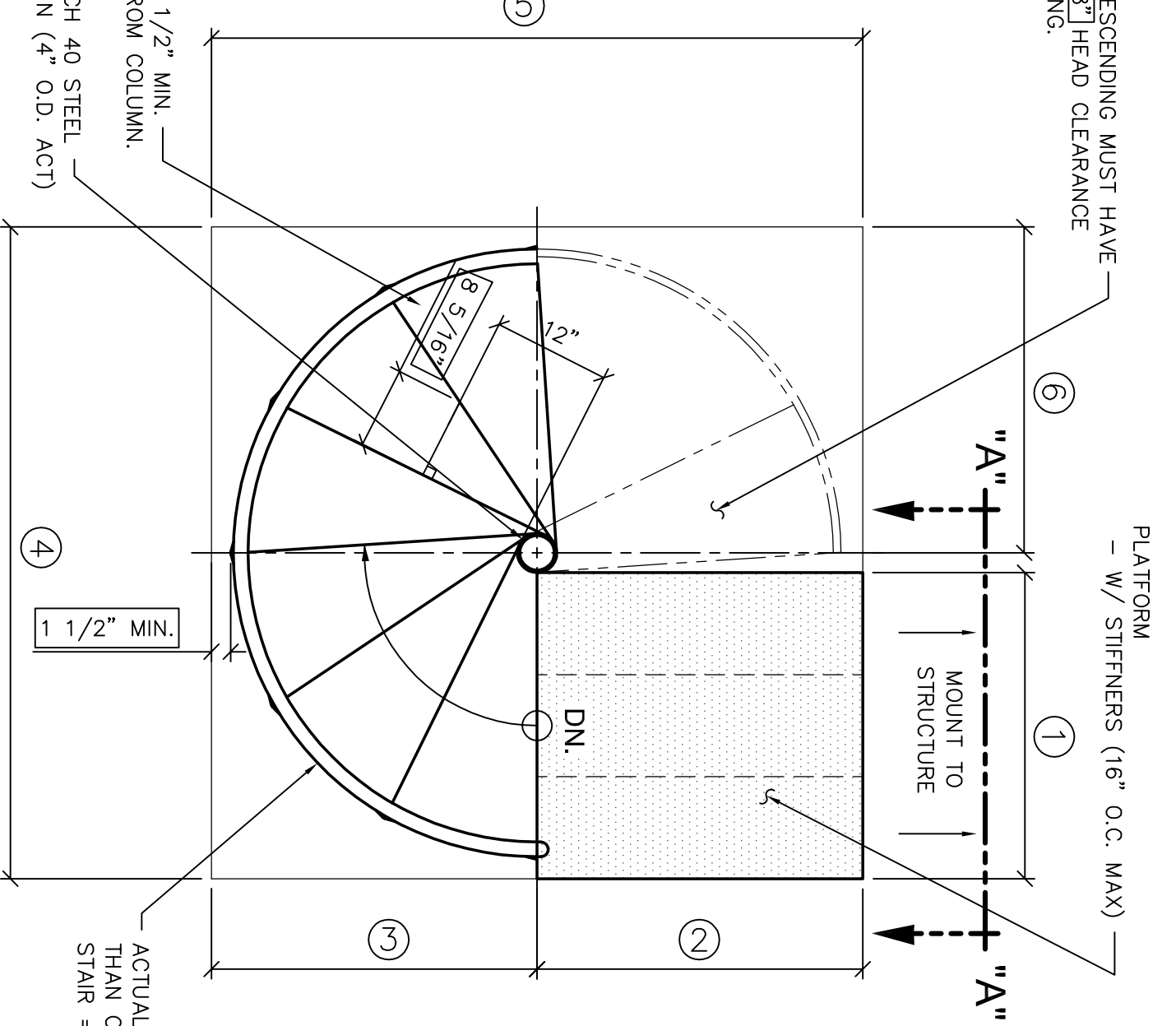
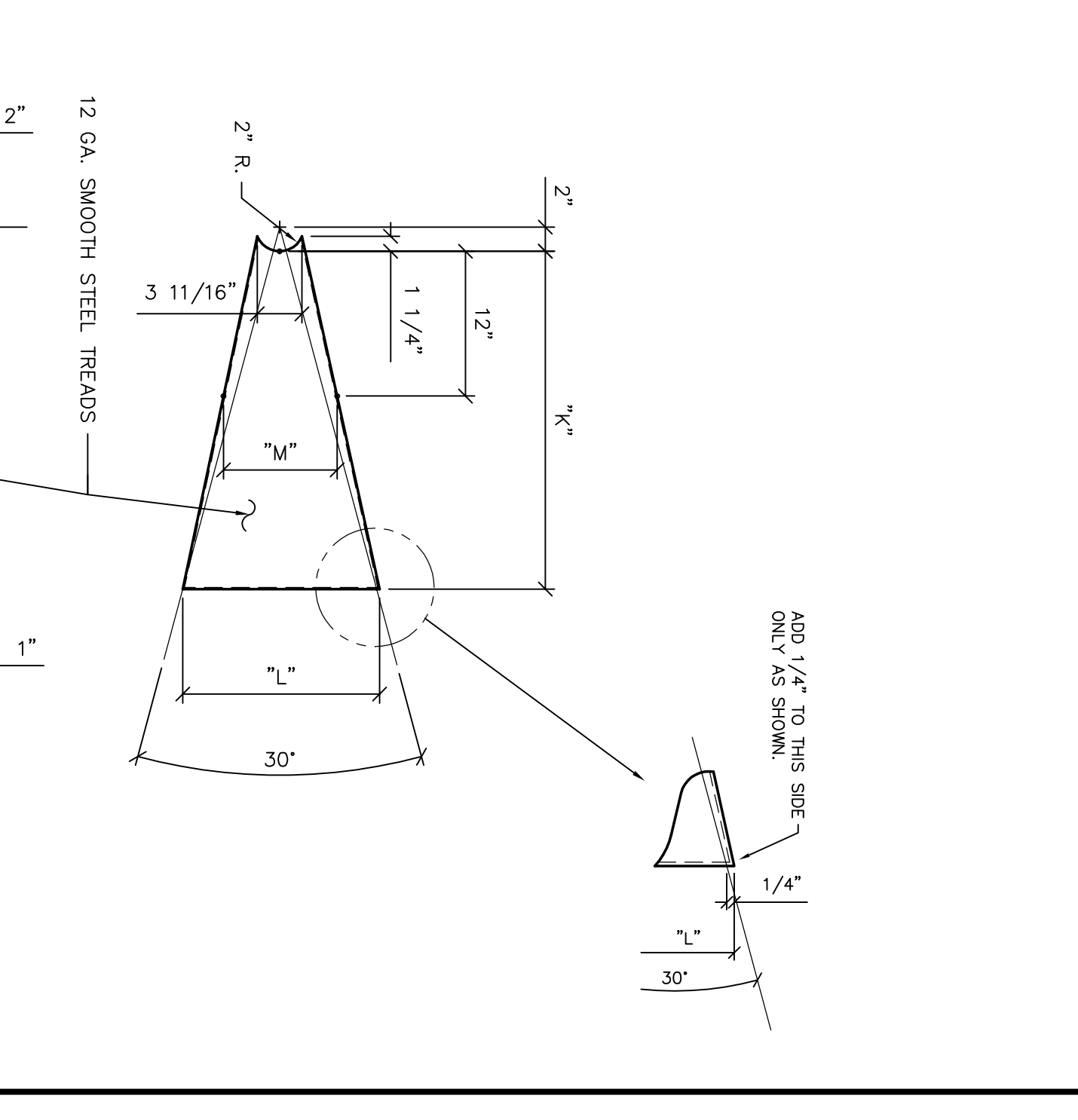


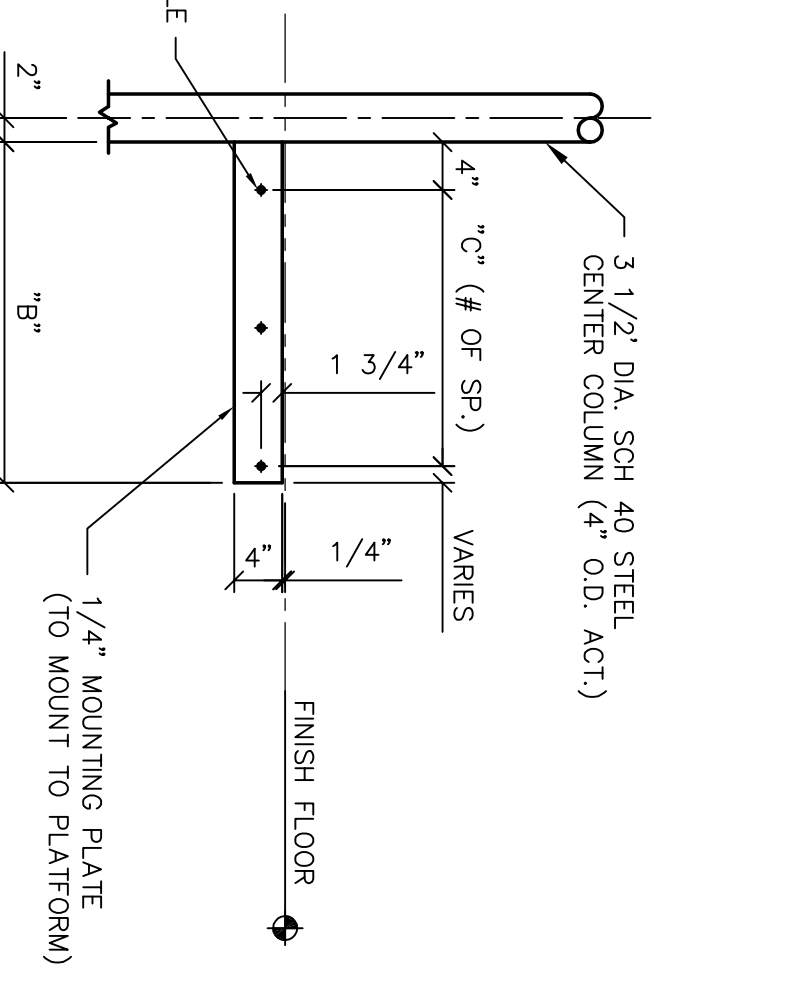
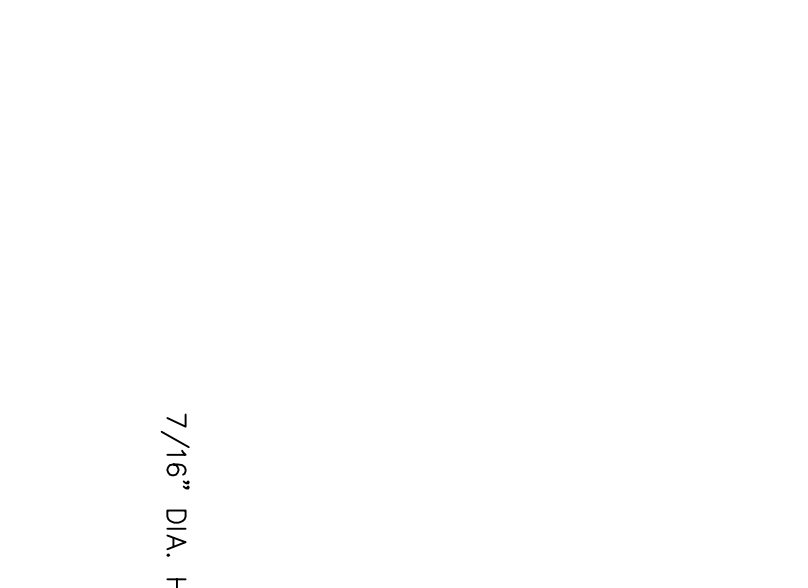
FINISH FLOOR OPENING DIMENSIONS						
DIAMETER	1	2	3	4	5	6
3'-4" (40")	20"	22"	22"	44"	44"	24"
4'-0" (48")	24"	26"	26"	52"	52"	28"
4'-4" (52")	26"	28"	28"	56"	56"	30"
5'-0" (60")	31"	33"	33"	66"	66"	35"
5'-4" (64")	33"	35"	35"	70"	70"	37"
6'-0" (72")	37"	39"	39"	78"	78"	41"
6'-6" (78")	41"	43"	43"	86"	86"	45"



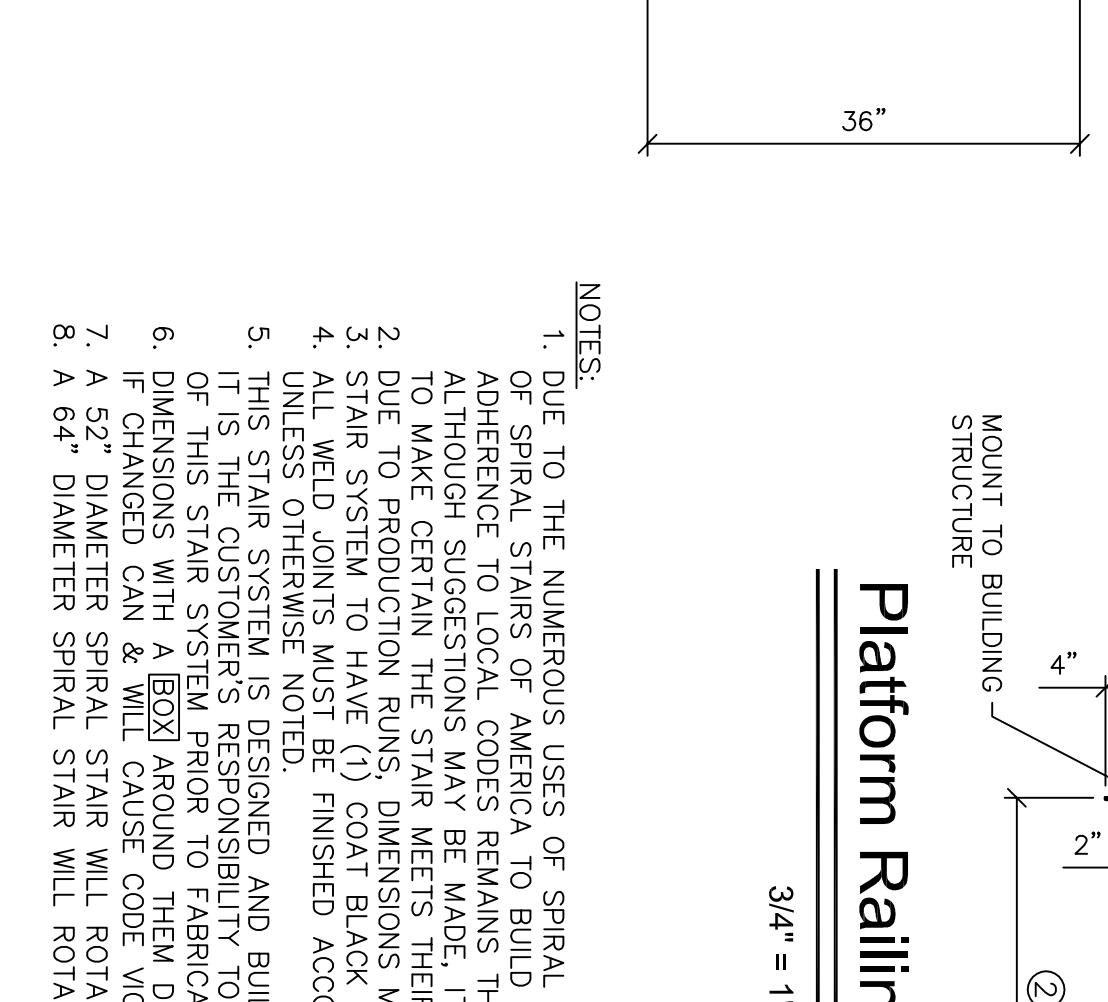
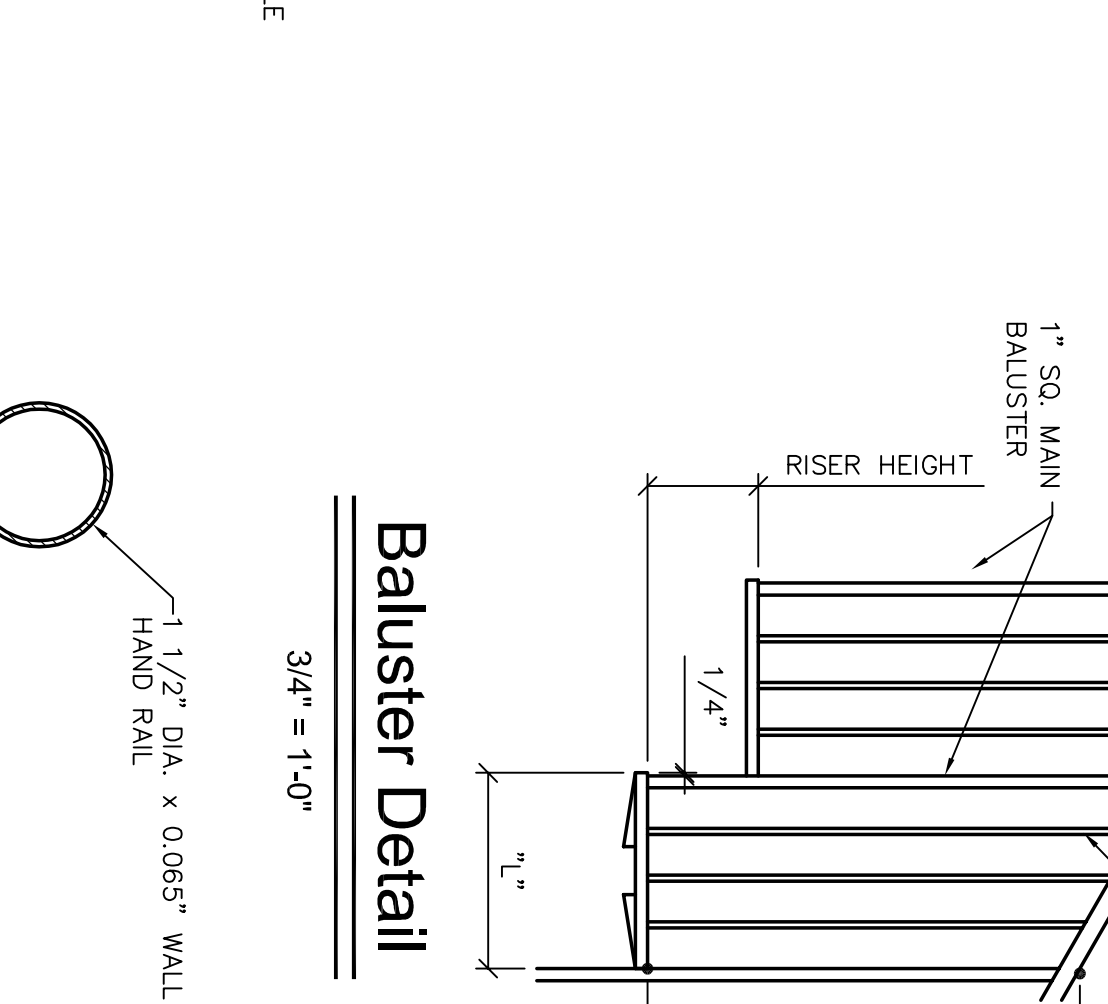
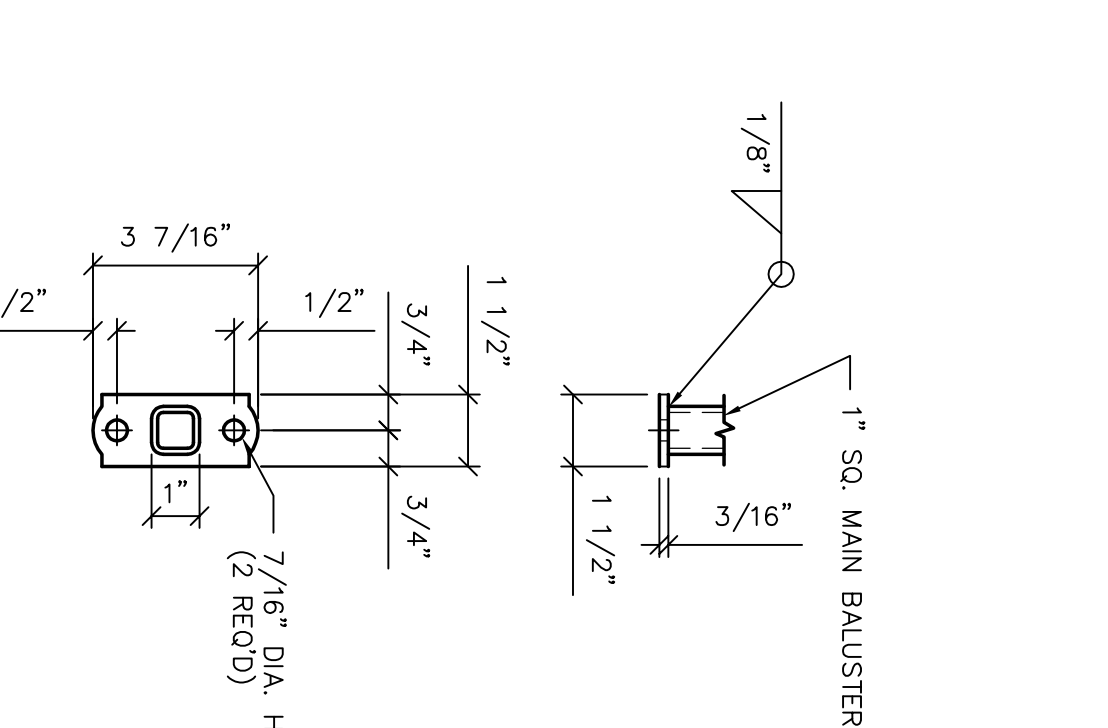
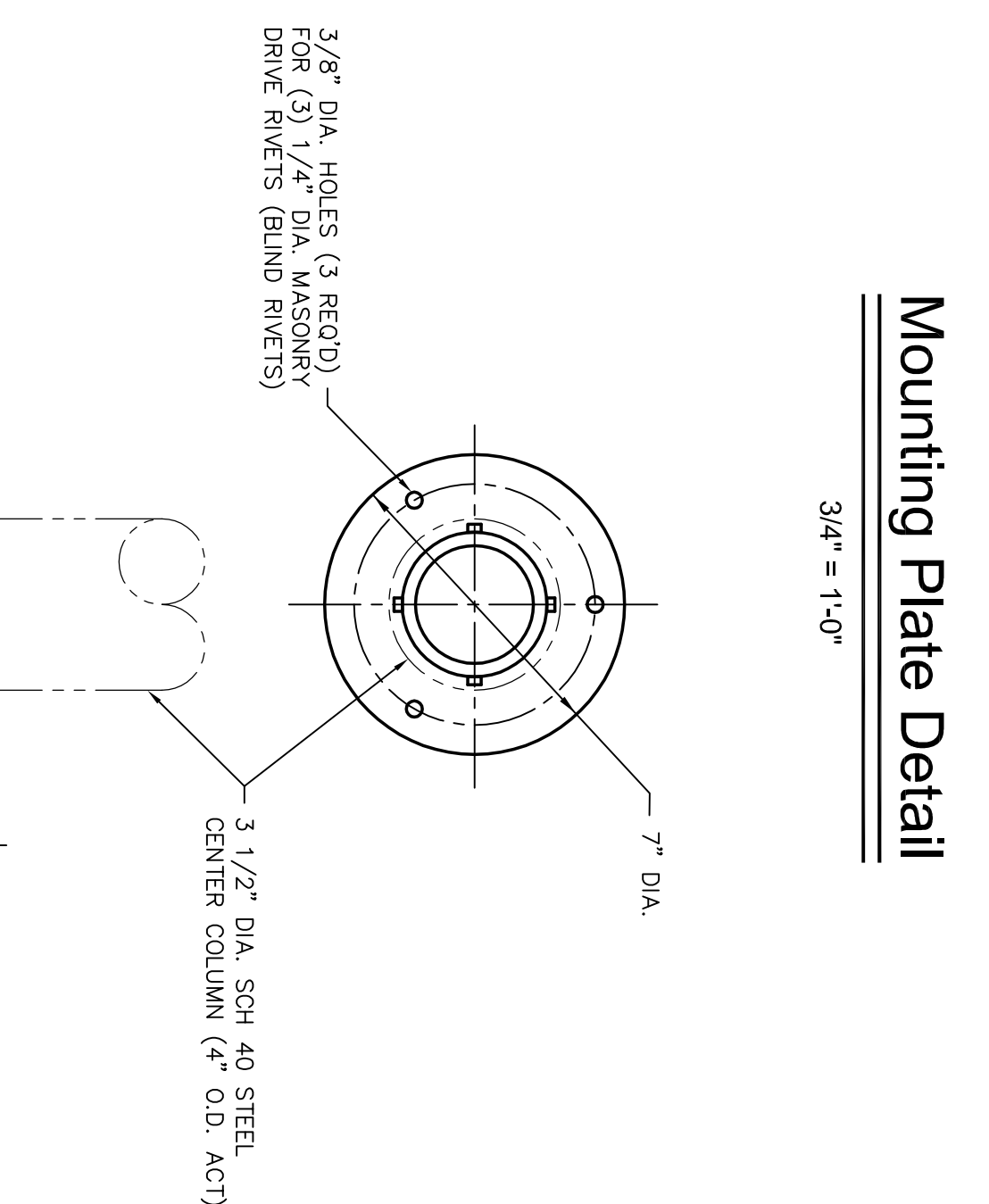
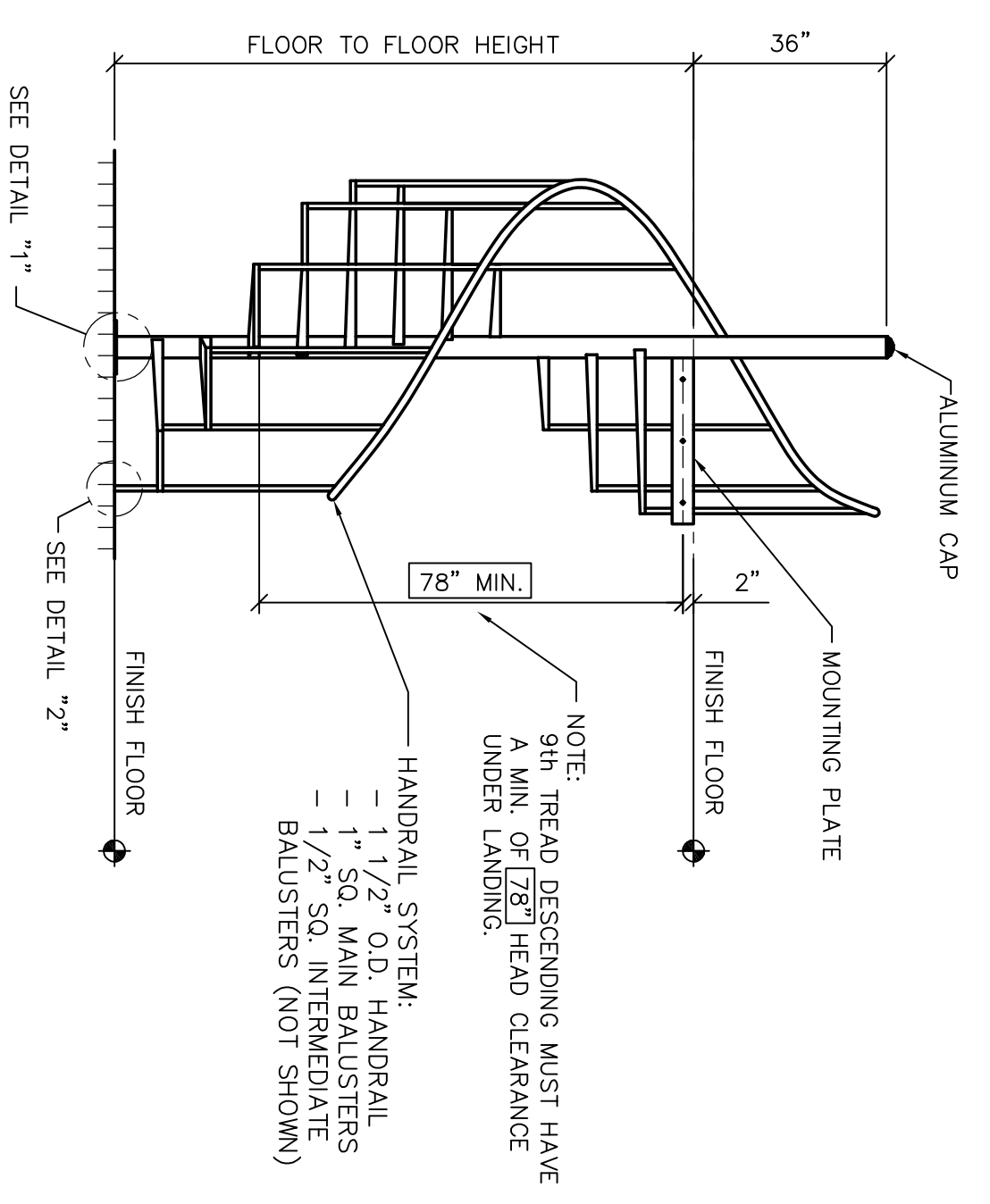
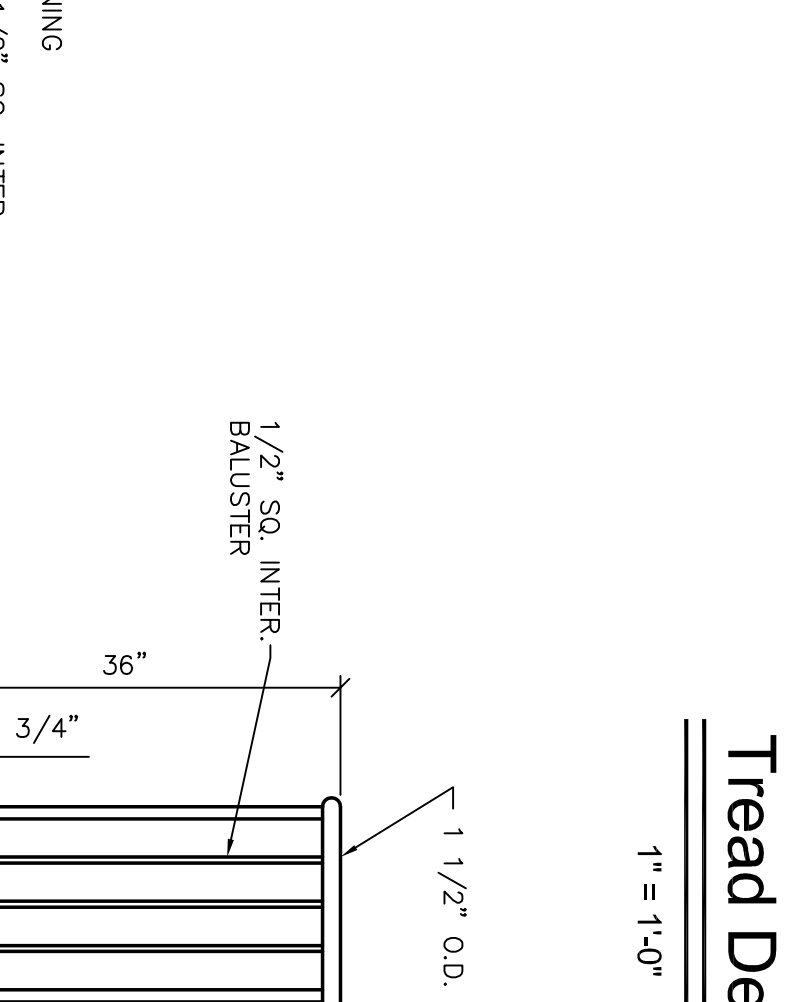
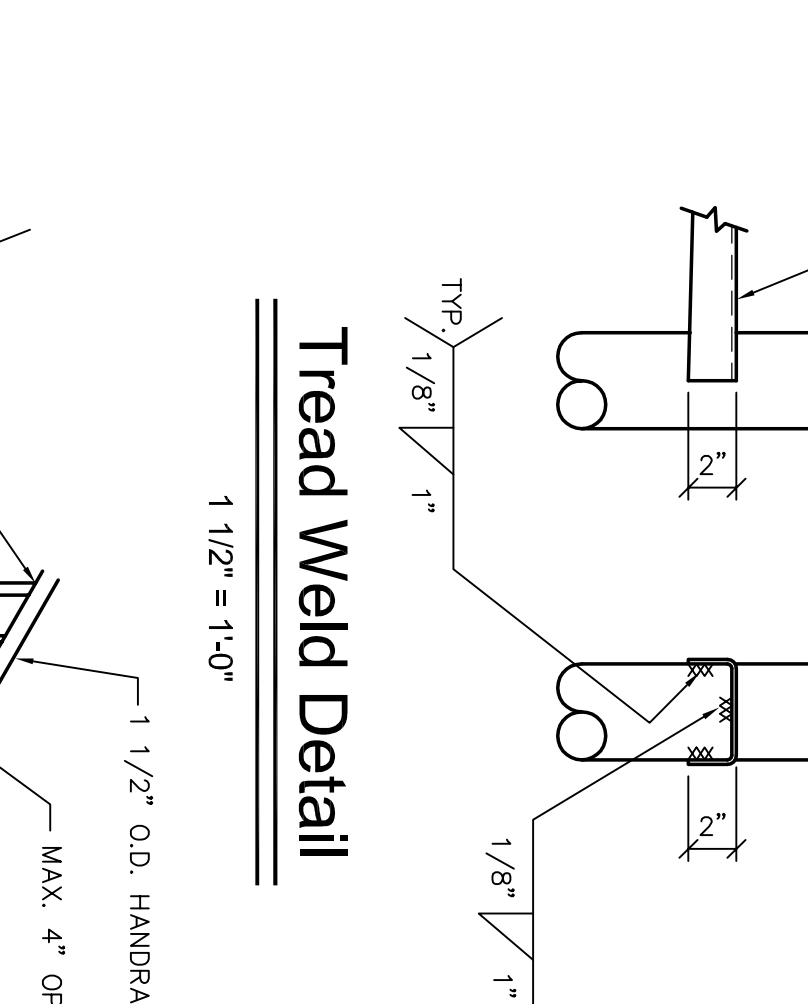
TREAD SCHEDULE			
STAIR DIAMETER	K"	L"	M"
40"	18"	10 15/16"	8 11/16"
48"	22"	13 1/8"	9 1/16"
52"	24"	14 3/16"	9 3/16"
60"	28"	16 5/16"	9 7/16"
64"	30"	17 3/8"	9 1/2"
72"	34"	19 9/16"	9 11/16"
78"	37"	21 1/8"	9 3/4"



30° TREAD RISER CHART			
FLOOR TO FLOOR HEIGHT	NUMBER OF TREADS	NUMBER OF RISERS	DEGREE OF TURN
76.5" - 85.5"	8	9	240°
TO 95"	9	10	270°
TO 104.5"	10	11	300°
TO 114"	11	12	330°
TO 123.5"	12	13	360°
TO 133"	13	14	390°
TO 142.5"	14	15	420°
TO 152"	15	16	450°
TO 161.5"	16	17	480°
TO 171"	17	18	510°



MOUNTING PLATE SCHEDULE			
STAIR DIAMETER	"A"	"B"	"C"
40"	20"	17 3/4"	12" (1)
48"	24"	21 5/8"	16" (1)
52"	26"	23 5/8"	16" (1)
60"	30"	28 7/16"	11 1/2" (2)
64"	32"	30 3/8"	12 1/2" (2)
72"	36"	34 3/16"	14 1/2" (2)
78"	39"	37 5/8"	16 1/2" (2)



NOTES:

- DUE TO THE NUMEROUS USES OF SPIRAL STAIRS IT IS THE RESPONSIBILITY OF SPIRAL STAIRS OF AMERICA TO BUILD TO BROCHURE SPECIFICATIONS. ADHERENCE TO LOCAL CODES REMAINS THE RESPONSIBILITY OF THE PURCHASER. ALTHOUGH SUGGESTIONS MAY BE MADE, IT IS THE PURCHASER'S RESPONSIBILITY TO MAKE CERTAIN THE STAIR MEETS THEIR APPLICATION.
- STAIR SYSTEM TO HAVE (1) COAT BLACK SHOP PRIMER.
- STAIR SYSTEM MUST BE FINISHED ACCORDING TO NOMMA CLASS 4 UNLESS OTHERWISE NOTED.
- ALL WELD JOINTS MUST BE FINISHED ACCORDING TO NOMMA CLASS 4 UNLESS OTHERWISE NOTED.
- THIS STAIR SYSTEM IS DESIGNED AND BUILT TO S.S.A.'S INTERPRETATION OF IBC CODE IT IS THE CUSTOMER'S RESPONSIBILITY TO HAVE LOCAL CODE INSPECTORS APPROVAL OF THIS STAIR SYSTEM PRIOR TO FABRICATION.
- DIMENSIONS WITH A [BOX] AROUND THEM DENOTES DIMENSIONS THAT IF CHANGED CAN & WILL CAUSE CODE VIOLATIONS OR CLEARANCE ISSUES.
- A 52" DIAMETER SPIRAL STAIR WILL ROTATE THROUGH A 30" DOORWAY
- A 64" DIAMETER SPIRAL STAIR WILL ROTATE THROUGH A 36" DOORWAY

SPRAL STAIRS OF AMERICA
 ERIE, PENNSYLVANIA
 (814) 898-3700 FAX: (814) 899-9139

REV#	DESCRIPTION	DRAWN	CHECK	APPR.	DATE

Standard All Welded Steel Spiral Staircase "Square Back Tread"

TITLE:	Standard All Welded Steel Spiral Staircase "Square Back Tread"
CUSTOMER:	
DRAWN:	DEG 7/25/08
CHECKED:	
SCALE:	NOTED
DWG. NO.:	SI14415

UNLESS SPECIFIED, ALL STOCK STAIRS ARE SHIPPED WITH 12 GAUGE SMOOTH TREADS INTENDED TO BE COVERED BY CHEMRESIN WOOD NONSKID PAINT OR GRIP STRIPS AND WITH 1" SQUARE MAIN 1/2" SQUARE ADDITIONAL BALUSTERS. PRIME PAINTED BLACK. ALL PRICES F.O.B. ERIE, PA.